

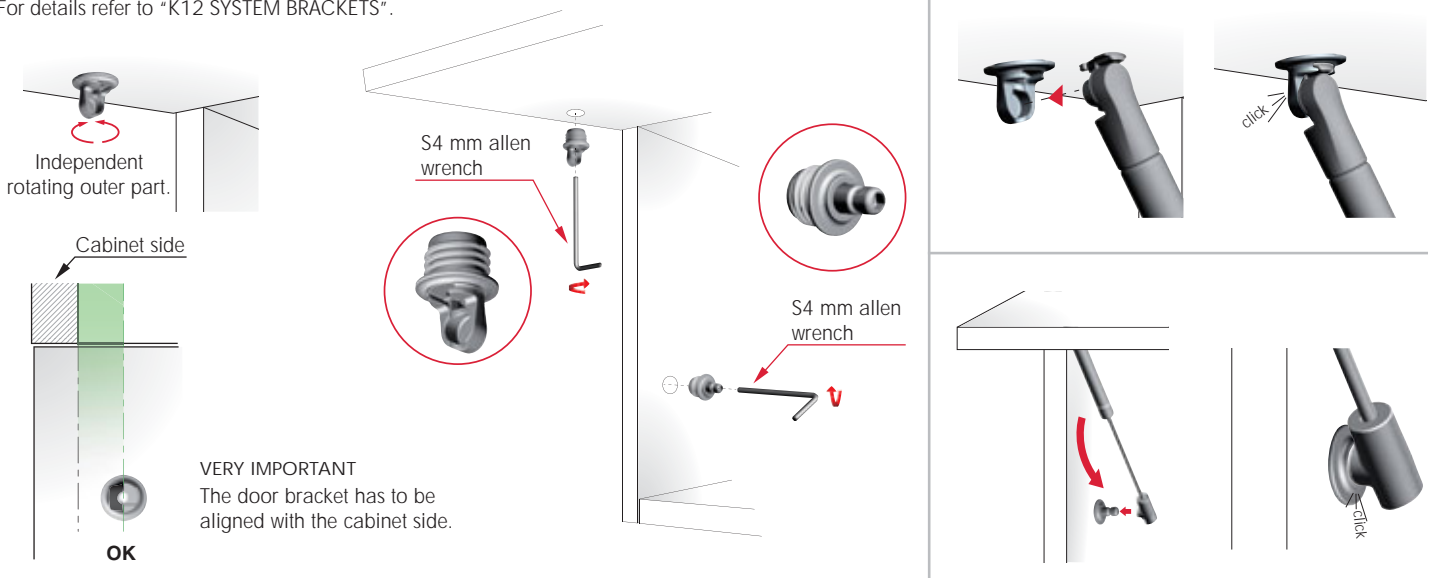
K12 SYSTEM LIFT UP



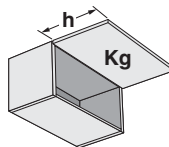
REGISTERED DESIGN
Certificates available on request.

BRACKET Ø15 INSTALLATION

- For details refer to "K12 SYSTEM BRACKETS".



Number of stays chart - L 244 mm



Rev. 02

h	Door weight (Kg)																								
	1	1,5	2	,5	3	,5	4	,5	5	,5	6	,5	7	,5	8	,5	9	,5	10	10,5	11	11,5	12	12,5	13
290 - 324	1x 50N	1x80N	2x50N	2x80N				2x100N	2x120N	2x140N	2x160N*	2x180N*													
325 - 374	1x 50N	1x 80N	2x50N	2x80N				2x100N	2x120N	2x140N	2x160N*	2x180N*													
375 - 424	1x 50N	1x 80N	2x50N	2x80N		2x100N	2x120N	2x140N	2x160N*	2x180N*					3x 140N										
425 - 474	1x 50N	2x50N		2x80N		2x100N	2x120N	2x140N	2x160N*	2x180N*			3x160N*		3x* 180N										
475 - 500	1x 50N	2x50N	2x80N	2x100N	2x120N	2x140N	2x160N*	2x180N*	3x160N*			3x 180N*													

* Strengths available on request.